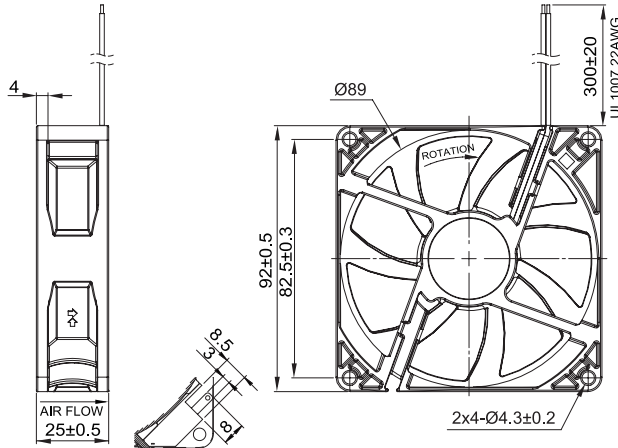


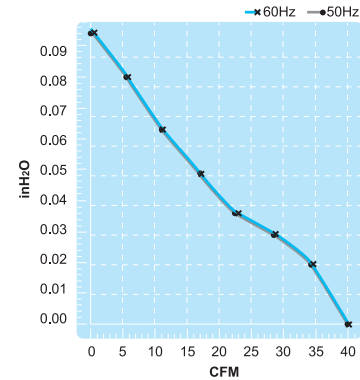
# EC9225 Series.

Platic Impeller / Explosion Proof.

Size : 92 x 92 x 25  
Unit : mm



(Axial Fan)



Electronically-Protected

Terminal or Lead Wire Type



Spec. Model	Rated Voltage V	Frequency Hz	Input Power W	Rated Current A	Locked Current A	Speed RPM	Maximum Air Flow m <sup>3</sup> /min.	Maximum Air Flow CFM	Maximum Pressure mmH <sub>2</sub> O	Maximum Pressure InchH <sub>2</sub> O	Noise dB	Weight kg
EC9225-URM1D4Aex	115~230	50/60	3.0	0.06 (115V) 0.04 (230V)	0.082 (115V) 0.038 (230V)	2650	1.1	39	2.3	0.09	34	0.085